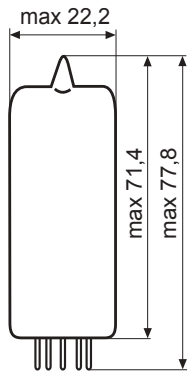
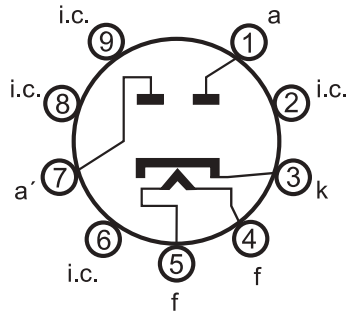


# EZ81

## DOUBLE ANODE RECTIFYING TUBE



### Base: NOVAL

$$U_f = 6,3 \text{ V}$$

$$I_f = 1 \text{ A}$$

### Typical Characteristics:

#### Capacitor Input

$$f = 50 \text{ Hz}$$

$$U_{tr \text{ eff}} = 2 \times 250 \quad 2 \times 350 \quad 2 \times 450 \text{ V}$$

$$R_t = 2 \times 150 \quad 2 \times 230 \quad 2 \times 310 \quad \Omega$$

$$I_{d.c.} = 160 \quad 150 \quad 100 \text{ mA}$$

$$C = 50 \quad 50 \quad 50 \quad \mu\text{F}$$

$$U_{d.c.} = 245 \quad 352 \quad 497 \text{ V}$$

#### Choke Input

$$f = 50 \text{ Hz}$$

$$U_{tr \text{ eff}} = 2 \times 250 \quad 2 \times 350 \quad 2 \times 450 \text{ V}$$

$$I_{d.c.} = 180 \quad 180 \quad 150 \text{ mA}$$

$$L = 10 \quad 10 \quad 10 \text{ H}$$

$$U_{d.c.} = 199 \quad 288 \quad 378 \text{ V}$$

### Limiting Values:

$$U_{a \text{ invp}} = 1300 \text{ V}$$

$$I_p = 500 \text{ mA}$$

$$U_{kf} = 500 \text{ V}$$

$$C_{\text{filt max.}} = 50 \quad \mu\text{F}$$

$$L_{\text{min.}} = 1 \text{ H}$$



# DOUBLE ANODE RECTIFYING TUBE

