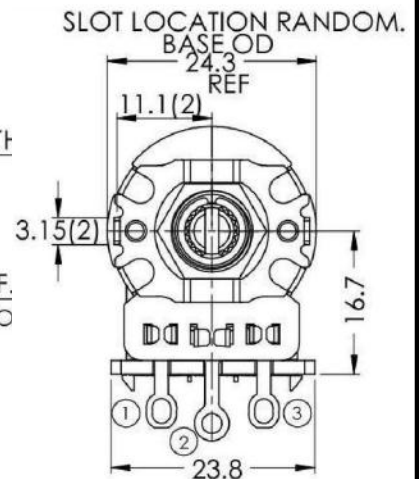
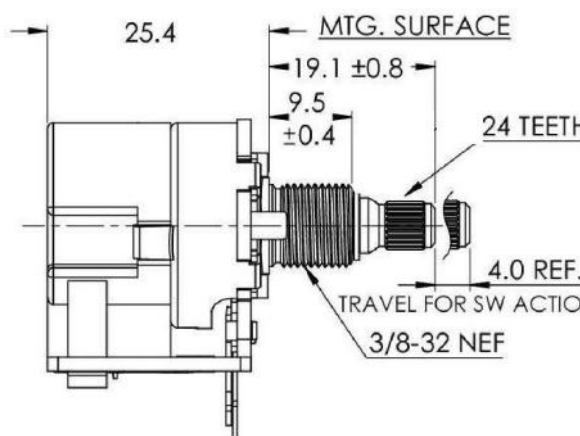
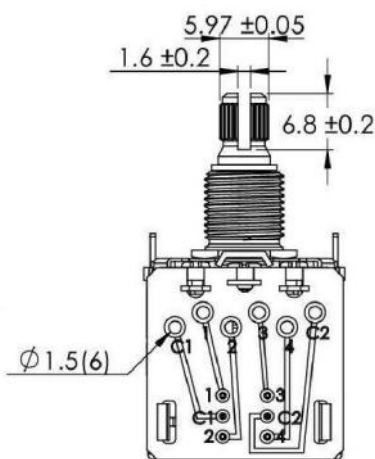


# CTS Push/Pull Potentiometer with DPDT switch split/knurled shaft Audio (log): A250K + A500K

## Specifications:

tolerance:	+/-10%
angle of rotation:	300° +/- 5°
rating:	1/3W@55°C
taper:	15% Audio
max. operation voltage, pot:	750V DC
rotational life test:	10,000 cycles
shaft and bushing material:	brass
switching max.:	DC30V/0.1A
switching board:	thermoplastic with flame UL 94HB



SWITCH DIAGRAM

	OFF	ON
PUSH "IN"	C2-3 C1-1	C2-4 C1-2
PULL "OUT"	C2-4 C1-2	C2-3 C1-1

NOTE : C1,C2 COMMON

