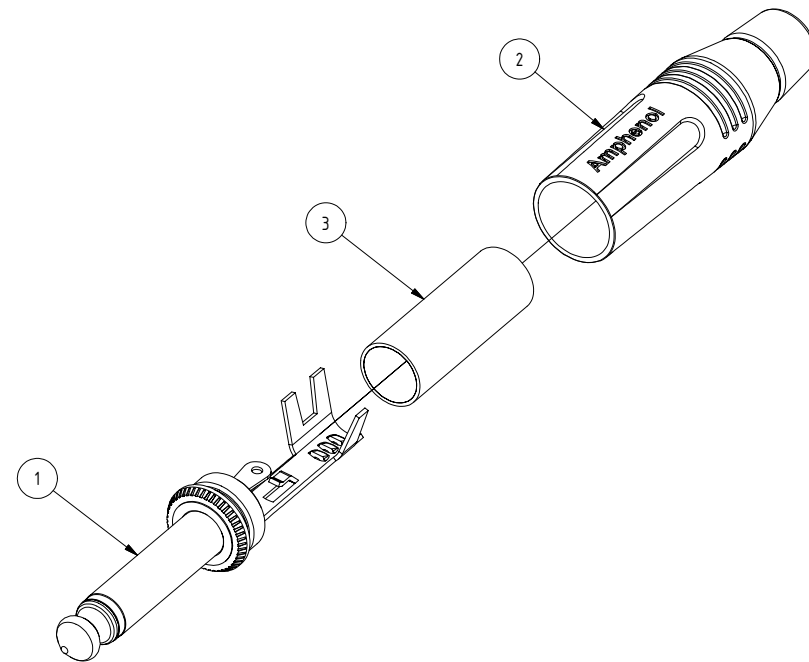


ISO VIEW



Parts List				
ITEM	PART NUMBER	DWG No	DESCRIPTION	QTY
1	50310007-*30	50310007-130-1	INSERT ASSEMBLY	1
2	53490001-*31	53490001-331-1	BACKSHELL ASSEMBLY	1
3	51270016-521	51270013-521-1	PVC INSULATION TUBE	1

Part Numbers According to Shell and Contact Finish			
CATALOGUE P/No	REFERENCE P/No.	SHELL FINISH	CONTACT FINISH
ACPM-GN	55010218-000	NICKEL	NICKEL SLEEVE AND TIP
ACPM-GN-AU	55010218-001	NICKEL	GOLD SLEEVE AND TIP
ACPM-GB	55010218-002	BLACK	NICKEL SLEEVE AND TIP
ACPM-GB-AU	55010218-003	BLACK	GOLD SLEEVE AND TIP

UNLESS OTHERWISE SPECIFIED TOLERANCE TO BE		THIS DOCUMENT IS THE PROPERTY OF AMPHENOL AUSTRALIA PTY LTD. NO PART THEREOF MAY BE REPRODUCED AND USED WITHOUT THE PRIOR WRITTEN CONSENT OF THE OWNER				1	UPDATE TO MODIFIED COMPONENTS	LV	1/03/2004	8241
LINEAR		ANGULAR		CAD FILE: 55010218000111		0	FIRST ISSUE	T.N	7/12/2002	----
X ± 0.5	X <sub>1</sub> ± 1	X' ± 30'	X'' ± 15'	DSD:	T.N	DATE:	7/12/2002	BY	DATE	CHG/No
XX ± 0.1	XX' ± 30'	XX'' ± 15'		MATL:	REFER TO COMPONENTS	CKD:	M.N.H	DATE:	04-05-04	
BREAK ALL SHARP EDGES AND REMOVE ALL BURRS		FINISH:		SEE TABLE	APP'D:	P.M	DATE:	04-05-04	TITLE: 1/4" PHONE PLUG MONO ASSY	
DO NOT SCALE		DIMENSIONS IN		MILIMETRES	THIRD ANGLE PROJECTION	SCALE:	2:1 UOS	PART No:	SEE TABLE	SIZE: A3
										DRAWING NO. 55010218-000-1
										SHEET 1/1

**Amphenol**

Amphenol Australia Pty Ltd, 2 Fineways Blvd, Keysborough, Vic3173